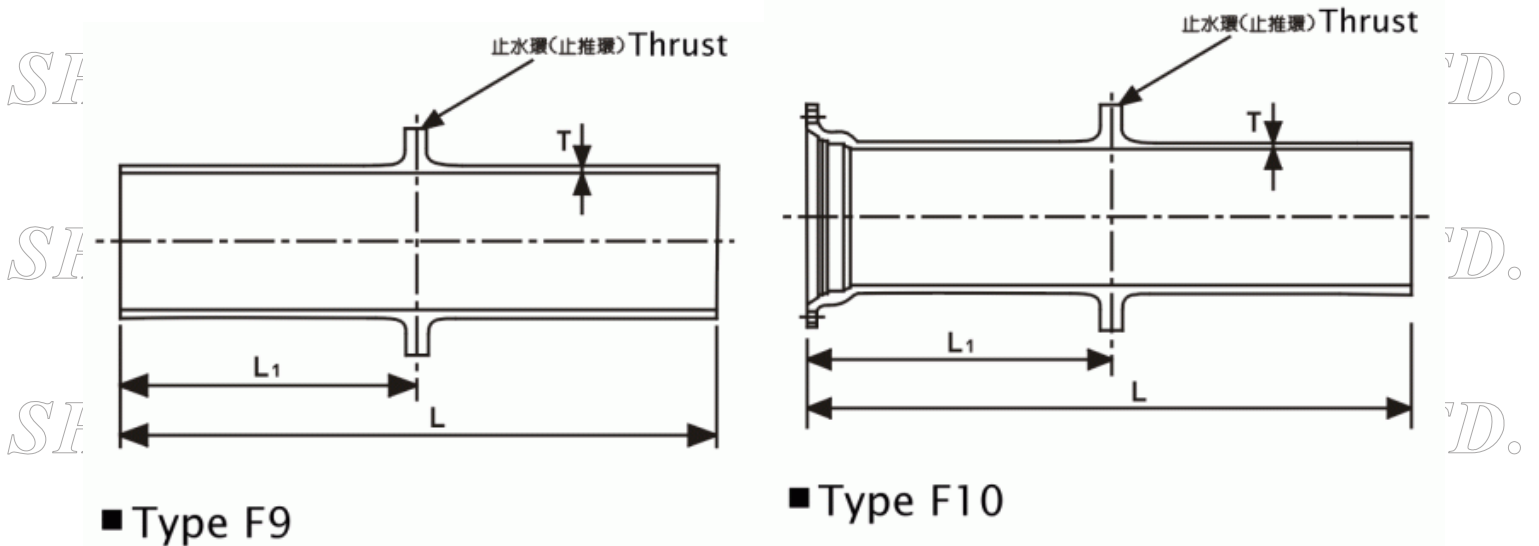
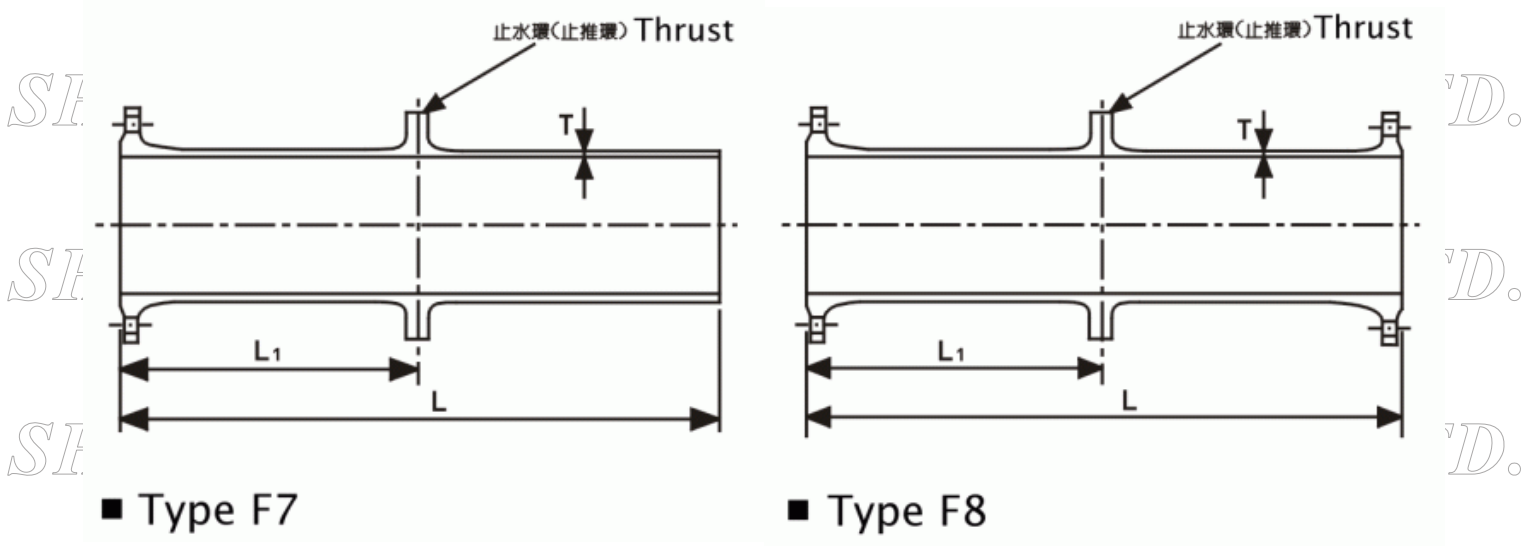


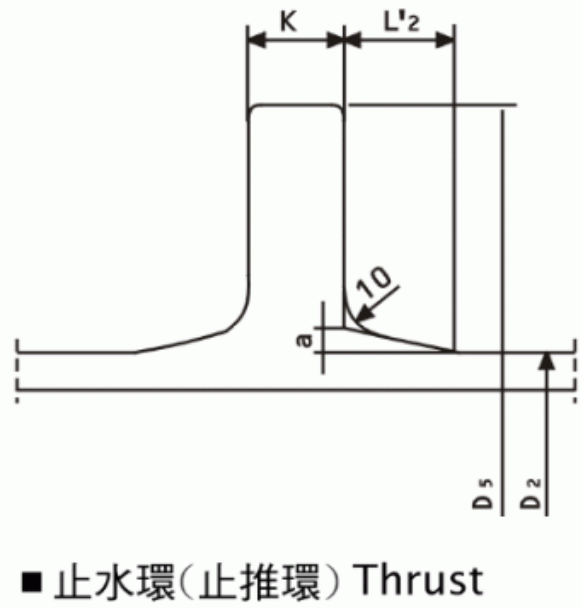
Wall Pipe

SHIN NAN CASTING FACTORY CO., LTD.



SHIN NAN  
SHIN NAN  
SHIN NAN  
SHIN NAN

Y CO., LTD.  
Y CO., LTD.  
Y CO., LTD.  
Y CO., LTD.



SHIN NAN CASTING FACTORY CO., LTD.



Note: L 2m. L<sub>1</sub>, L can be specified by purchaser.

Thrusts

Unit: mm

Unit: mm

Nominal size	Thickness	O.D.	Barrel per 1m (kg)	Weight of Flange (kg)			
				7.5 K	10 K	16 K	20 K
	T	D <sub>2</sub>					
75	8.5	93.0	16.134	3.77	2.28	3.00	3.29
100	8.5	118.0	20.907	4.55	2.75	3.98	4.33
150	9.0	169.0	32.346	6.22	5.59	7.73	8.90
200	11.0	220.0	51.641	8.06	6.75	9.89	11.20
250	12.0	271.6	69.975	11.50	10.70	16.50	19.60
300	12.5	322.8	87.126	14.20	11.40	19.70	23.10
350	13.0	374.0	105.416	18.80	13.40	26.00	30.00
400	14.0	425.6	129.437	21.80	19.40	36.00	42.80
450	14.5	476.8	150.573	28.30	24.70	47.30	55.50
500	15.0	528.0	172.848	32.00	28.30	56.30	65.40
600	16.0	630.8	220.958	38.90	39.00	75.00	86.10
700	17.0	733.0	273.412	49.90	52.10	98.20	143.00
800	18.0	836.0	330.736	66.10	67.70	132.00	213.00
900	19.0	939.0	392.643	85.30	80.30	156.00	256.00
1000	20.0	1041.0	458.682	101.00	100.00	207.00	-
1100	21.0	1144.0	529.730	120.00	122.00	237.00	-
1200	22.0	1246.0	604.867	140.00	152.00	287.00	-
1350	24.0	1400.0	741.798	181.00	194.00	369.00	-
1500	26.0	1554.0	892.386	216.00	239.00	451.00	-
1600	27.5	1650.0	1002.244	275.00	295.00	-	-
1650	28.0	1701.0	1052.228	286.00	308.00	-	-
1800	30.0	1848.0	1225.099	318.00	358.00	-	-
2000	32.0	2061.0	1458.438	360.00	421.00	-	-
2100	33.0	2164.0	1579.622	386.00	461.00	-	-
2200	34.0	2280.0	1715.318	424.00	494.00	-	-
2400	36.0	2458.0	1958.540	538.00	651.00	-	-
2600	37.5	2684.0	2229.252	549.00	683.00	-	-

Nom. size	O.D.	Dimensions				Weight (kg)
		D	D <sub>2</sub>	D <sub>5</sub>	K	
75	93.0	185	18	5.0	25	2.91
100	118.0	210	18	5.0	25	3.46
150	169.0	280	22	5.0	25	6.73
200	220.0	330	22	5.0	25	8.22
250	271.6	390	24	5.0	25	11.50
300	322.8	445	24	5.0	25	13.70
350	374.0	500	26	5.0	25	17.30
400	425.6	560	28	5.0	25	22.30
450	476.8	620	30	5.0	25	28.10
500	528.0	675	30	5.0	25	31.60
600	630.8	795	32	6.0	30	45.00
700	733.0	905	34	7.0	35	58.20
800	836.0	1020	36	8.0	40	75.50
900	939.0	1130	38	9.0	45	93.40
1000	1041.0	1235	40	10.0	50	111.00
1100	1144.0	1345	42	11.0	55	134.00
1200	1246.0	1465	44	12.0	60	168.00
1350	1400.0	1630	48	14.0	70	220.00
1500	1554.0	1795	52	16.0	80	281.00

SHIN NAN CASTING FACTORY CO., LTD.

SHIN NAN CASTING FACTORY CO., LTD.

SHIN NAN CASTING FACTORY CO., LTD.

SHIN NAN CASTING FACTORY CO., LTD.

SHIN NAN CASTING FACTORY CO., LTD.

SHIN NAN CASTING FACTORY CO., LTD.

SHIN NAN CASTING FACTORY CO., LTD.